

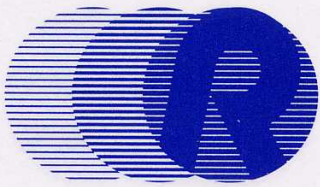
# Válvula bola con bridas



Valves Design According to EN 1983  
Valves Thickness According to EN 12516-1  
Valves Surface According to MSS SP-55  
Pressure-Temperature Ratings According to 12516-1  
Flanged Dimension According to EN 1092-1 Type 21 RF SF  
Face to Face According to EN 558-1 F4/F5(DIN 3202 F4/F5)  
Valves Testing According to EN 12266-1  
Valves Marking According to EN 19

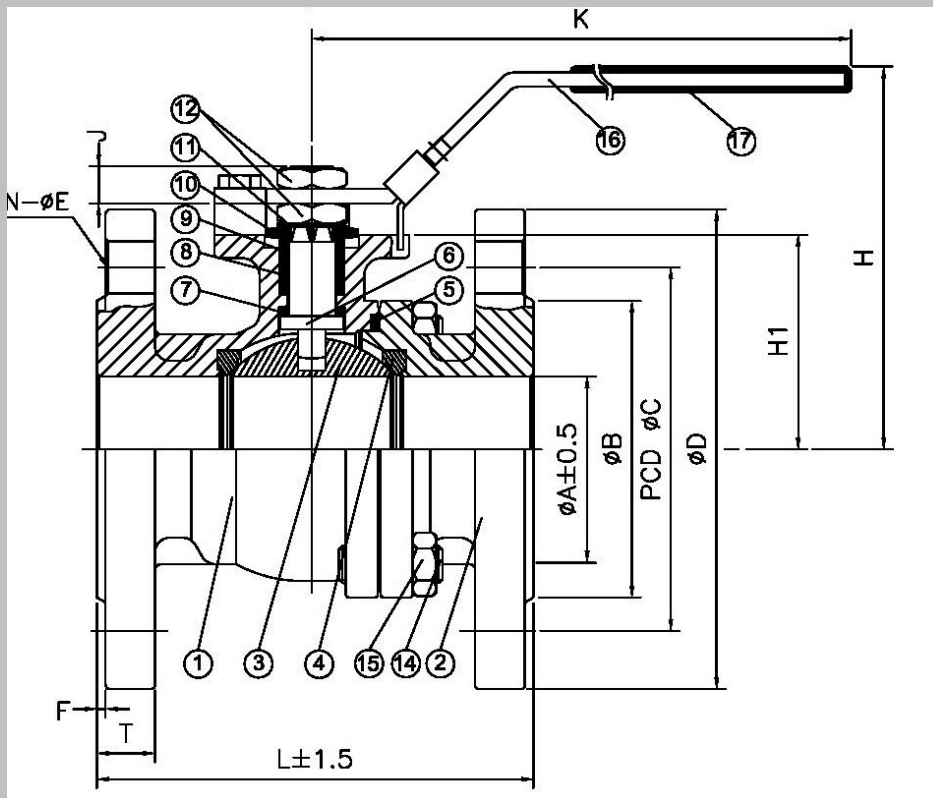
## CARACTERISTICAS PRINCIPALES

- VALVULAS DE BOLA CUERPO PARTIDO SPLIT BODY
- MATERIAL EN10213-4 1.4408
- DISEÑO ANSI 16.34 ANTI FUEGO
- ACCIONAMIENTO POR PALANCA
- PLATAFORMA ISO 5221 PARA MONTAJE DE ACTUADOR NEUMATICO
- SISTEMA DE BLOQUEO MEDIANTE CANDADO
- EJE ANTIESTATICO Y NO EYECTABLE
- PASO TOTAL, BRIDAS DIN 2633 PN 16/40, DIN 3202 F4
- MARCADA CE, CERTIFICADO EN 10204:2004-3.1

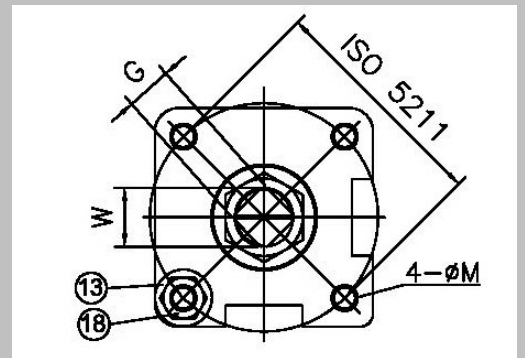


**RODALSA**

c/ Barrachi, 12 - Pab. 21 • 01013 VITORIA  
 Tel.: 945 28 93 95 • Fax: 945 28 92 46  
 E-mail: rodalsa@infonegocio.com  
 www.rodalsa.net



NO.	PART NAME	MATERIAL		QTY
1	BODY	1.4408	1.0819	1
2	END CAP	1.4408	1.0819	1
3	BALL	CF8M	CF8	1
4	BALL SEAT	PTFE.		2
5	BODY GASKET	PTFE.		1
6	STEM	SS.316	SS.304	1
7	STEM SEAL-RING	PTFE.		1
8	V-RING STEM PACKING	PTFE.		1
9	SLEEVE	SS.304		1
10	BELLEVILLE WASHER	SS.301		2
11	STOP	SS.304		1
12	STEM NUT	SS.304		2
13	STOP PIN	SS.304		1
14	BOLTS	ASTM A193 GR.L8	ASTM A193 GR.L7	4
15	BOLTS NUTS	ASTM A193 GR.L8	ASTM A194 GR.L2HM	4
16	HANDLE	SS.304		1
17	HANDLE SLEEVE	PLASTIC		1
18	STOP BOLT	SS.304		1



SIZE	A	B	C	D	T	F	N	E	H	H1	J	K	L	ISO 5211	M	G	W
1/2"	15	45	65	95	18	2.0	4	14	84	38.5	8.5	162	115	F04 42	M5*0.8P	9.0	11.2
3/4"	20	58	75	105	18	2.0	4	14	87.4	40.0	8.5	162	120	F04 42	M5*0.8P	9.0	11.2
1"	25	68	85	115	18	2.0	4	14	96	45.5	12	196	125	F05 50	M6*1.0P	11	14.3
1 1/4"	32	78	100	140	18	2.0	4	18	102	50.5	12	196	130	F05 50	M6*1.0P	11	14.3
1 1/2"	38	88	110	150	18	2.0	4	18	108	60.5	12	226	140	F07 70	M8*1.25P	14	18.0
2"	50	102	125	165	20	2.0	4	18	118	70.5	12	226	150	F07 70	M8*1.25P	14	18.0